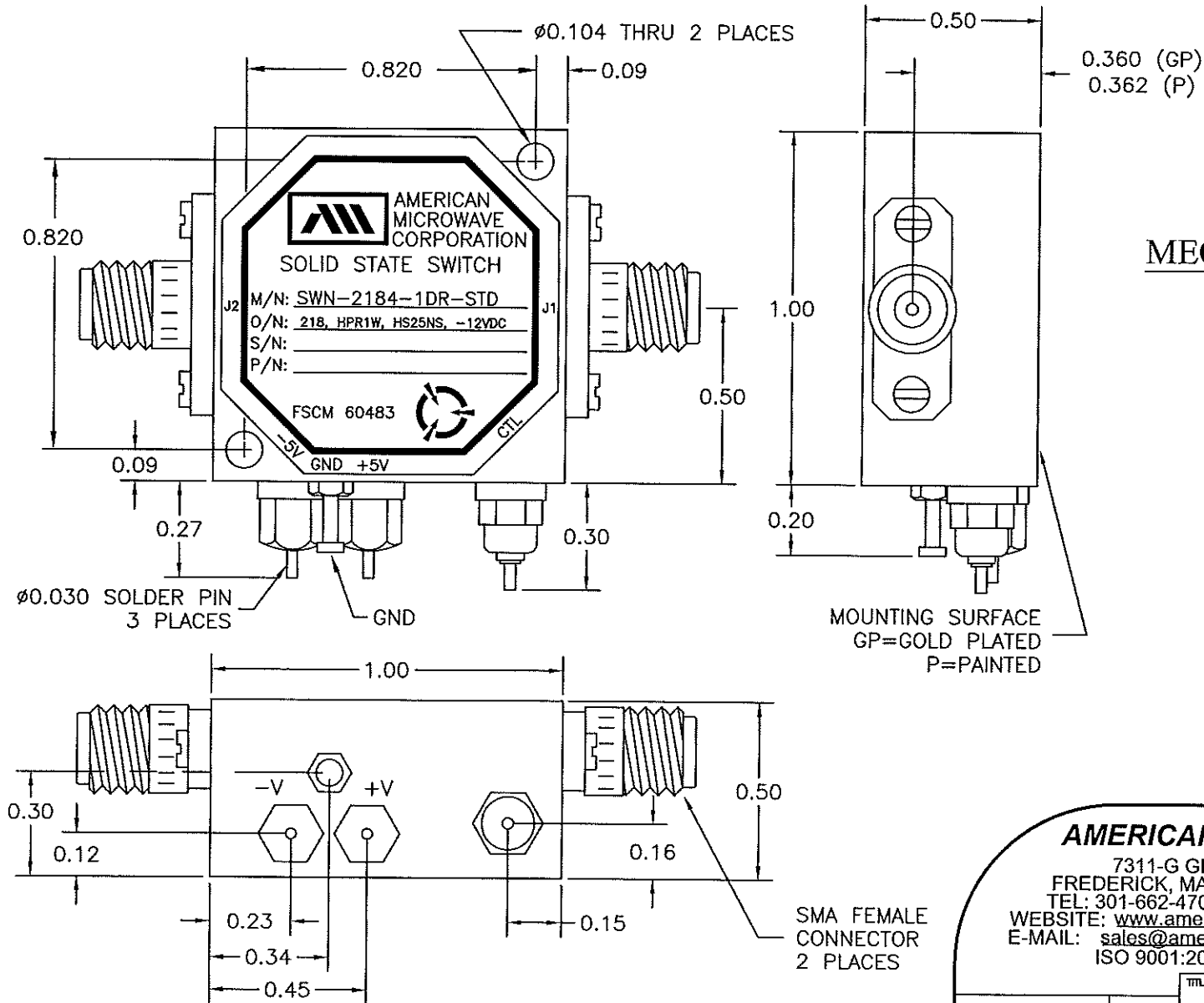


**DESCRIPTION:**

AMC MODEL SWN-2184-1DR-STD OPTIONS: 218, HPR1W, HS25NS, -12VDC IS A SINGLE POLE SINGLE THROW, REFLECTIVE SWITCH MODULE WITH LOW INSERTION LOSS, HIGH ISOLATION, HIGH SPEED AND WITH INTEGRAL TTL DRIVER, DESIGNED FOR 2 GHz TO 18 GHz OPERATION.



MECHANICAL OUTLINE

MOUNTING SURFACE  
GP=GOLD PLATED  
P=PAINTED

SMA FEMALE  
CONNECTOR  
2 PLACES

**AMERICAN MICROWAVE CORPORATION**

7311-G GROVE ROAD  
FREDERICK, MARYLAND 21704 USA  
TEL: 301-662-4700 FAX: 301-662-4938  
WEBSITE: [www.americanmicrowavecorp.com](http://www.americanmicrowavecorp.com)  
E-MAIL: [sales@americanmicrowavecorp.com](mailto:sales@americanmicrowavecorp.com)  
ISO 9001:2000 CERTIFIED



APPROVALS		DATE	TITLE		
DRAWN <i>PMV</i>		01/09/08	MECHANICAL OUTLINE		
REDRAWN <i>[Signature]</i>		1/9/08	SWN-2184-1DR-STD		
ISSUED			SIZE	FSCM NO.	DWG NO.
			A	60483	100-5652-006
			SCALE	N:S	SHEET 2 OF 4
					REV. -

ALL DIMENSIONS ARE IN INCHES  
TOLERANCES:  
X.XX ±0.010  
X.XXX ±0.005

**DESCRIPTION:**

AMC MODEL SWN-2184-1DR-STD OPTIONS: 218, HPR1W, HS25NS, -12VDC IS A SINGLE POLE SINGLE THROW, REFLECTIVE SWITCH MODULE WITH LOW INSERTION LOSS, HIGH ISOLATION, HIGH SPEED AND WITH INTEGRAL TTL DRIVER, DESIGNED FOR 2 GHz TO 18 GHz OPERATION.

**SPECIFICATIONS:**

- FREQUENCY: ..... 2 GHz TO 18 GHz
- INSERTION LOSS: ..... 2.5dB MAXIMUM
- ISOLATION: ..... 2 GHz TO 18 GHz: 70dB
- VSWR: ..... REFLECTIVE IN/OUT: 2.0:1
- SPEED: ..... RISE: 10ns TYPICAL, 15ns MAX.  
FALL: 10ns TYPICAL, 15ns MAX.  
DELAY ON: 25ns MAX.  
DELAY OFF: 25ns MAX.
- POWER INPUT: ..... 1 WATT
- SURVIVAL POWER: ..... 10 WATTS PEAK 1 usec
- CONTROL: ..... TTL LOGIC "0"=ON "1"=OFF
- POWER SUPPLY: ..... +5V @ 70 mA MAX.  
-12V @ 50 mA MAX.(RELECTIVE)

**OPTIONS:**

- HPR1W ..... HIGH POWER 1 WATT
- 218 ..... OPTIMIZED FOR 2 TO 18 GHZ
- HS25NS ..... 25NS DELAY ON
- 12VDC ..... -12VDC

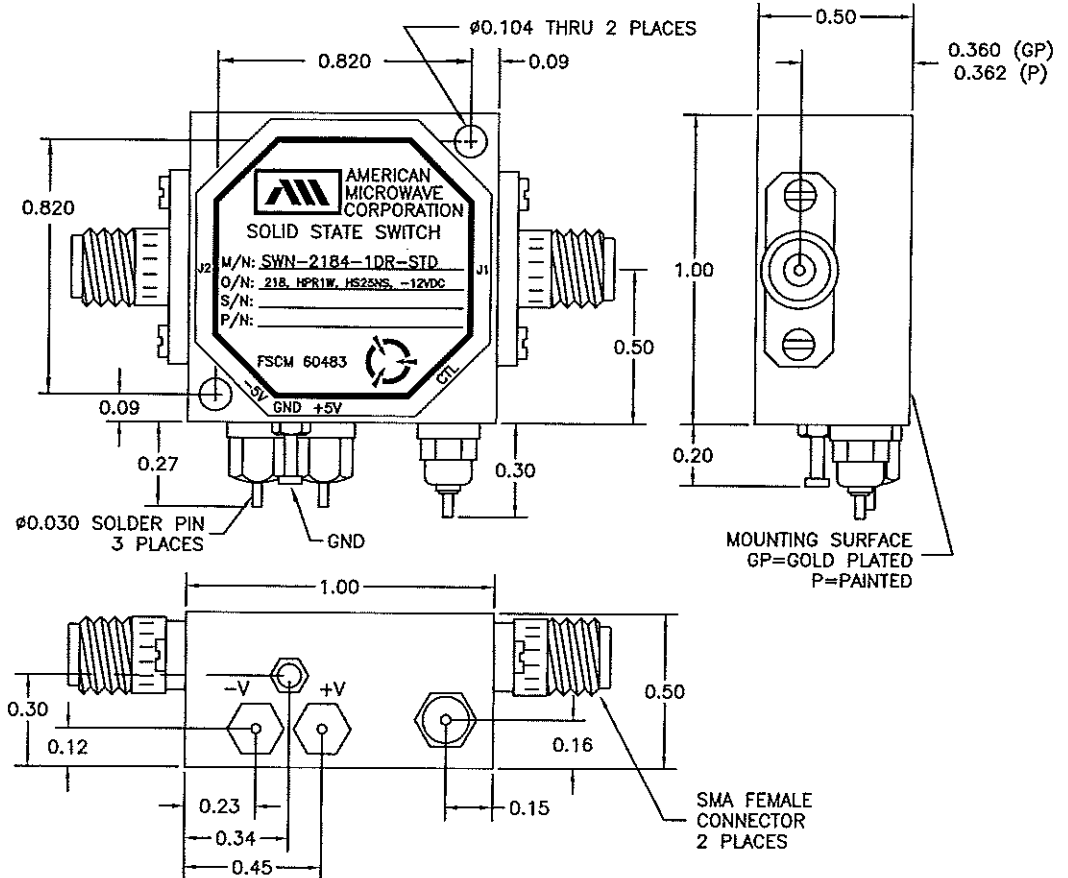
**ENVIRONMENTAL RATINGS:**

- TEMPERATURE: ..... -55°C TO +85°C (OPERATING)  
-65°C TO +125°C (STORAGE)
- HUMIDITY: ..... MIL-STD-202F, METHOD 103B COND. B
- SHOCK: ..... MIL-STD-202F, METHOD 213B COND. B
- VIBRATION: ..... MIL-STD-202F, METHOD 204D COND. B
- ALTITUDE: ..... MIL-STD-202F, METHOD 105C COND. B
- TEMPERATURE CYCLE: ... MIL-STD-202F, METHOD 107D COND. A

NOTE: SPECIFICATIONS WILL VARY DVER TEMPERATURE  
NOTE: THE ABOVE SPECIFICATIONS ARE SUBJECT TO CHANGE DR REVISION

REVISIONS				
ZONE	REV.	DESCRIPTION	DATE	APPROVED
	-	ORIGINAL RELEASE JOB# 712249PE-3	01/09/08	

AT = WITH DRIVER, NON-REFLECTIVE/ABSORPTIVE  
M/N = MANUFACTURER PART NUMBER  
O/N = OPTION NUMBER  
S/N = SERIAL NUMBER  
P/N = PART NUMBER



**AMERICAN MICROWAVE CORPORATION**

7311-G GROVE ROAD  
FREDERICK, MARYLAND 21704 USA  
TEL: 301-662-4700 FAX: 301-662-4938  
WEBSITE: [www.americamicrowavecorp.com](http://www.americamicrowavecorp.com)  
E-MAIL: [sales@americamicrowavecorp.com](mailto:sales@americamicrowavecorp.com)  
ISO 9001:2000 CERTIFIED



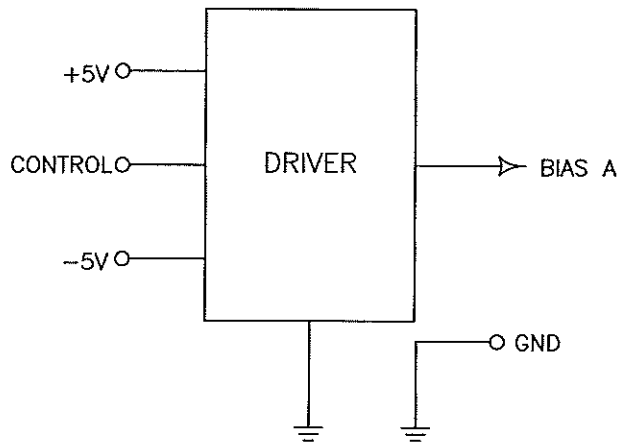
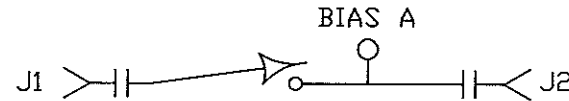
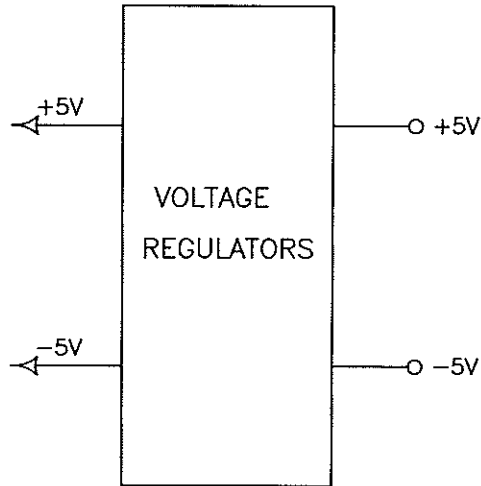
APPROVALS		DATE	TITLE		REV.
DRAWN <i>P.M.V.</i>		01/09/08	PRODUCT FEATURE SWN-2184-1DR-STD OPT: 218, HPR1W, HS25NS, -12VDC		-
REDRAWN <i>JA</i>		11/9/08	SIZE A	FSCM NO. 60483	DWG NO. 100-5652-006
ISSUED			SCALE N:S	SHEET 1 OF 4	

ALL DIMENSIONS ARE IN INCHES  
TOLERANCES:  
X.XX ±0.010  
X.XXX ±0.005

**DESCRIPTION:**

AMC MODEL SWN-2184-1DR-STD OPTIONS: 218, HPR1W, HS25NS, -12VDC IS A SINGLE POLE SINGLE THROW, REFLECTIVE SWITCH MODULE WITH LOW INSERTION LOSS, HIGH ISOLATION, HIGH SPEED AND WITH INTEGRAL TTL DRIVER, DESIGNED FOR 2 GHz TO 18 GHz OPERATION.

FUNCTIONAL BLOCK DIAGRAM



ALL DIMENSIONS ARE IN INCHES  
TOLERANCES:  
X.XX ±0.010  
X.XXX ±0.005

**AMERICAN MICROWAVE CORPORATION**

7311-G GROVE ROAD  
FREDERICK, MARYLAND 21704 USA  
TEL: 301-662-4700 FAX: 301-662-4938  
WEBSITE: [www.americanmicrowavecorp.com](http://www.americanmicrowavecorp.com)  
E-MAIL: [sales@americanmicrowavecorp.com](mailto:sales@americanmicrowavecorp.com)  
ISO 9001:2000 CERTIFIED



APPROVALS		DATE	TITLE		
DRAWN <i>PMV</i>		01/09/08	FUNCTIONAL BLOCK DIAGRAM		
REDRAWN <i>pk</i>		1/9/08	SWN-2184-1DR-STD		
ISSUED			SIZE	FSCM NO.	DWG NO.
			A	60483	100-5652-006
			SCALE N:S		SHEET 3 OF 4
					REV. -